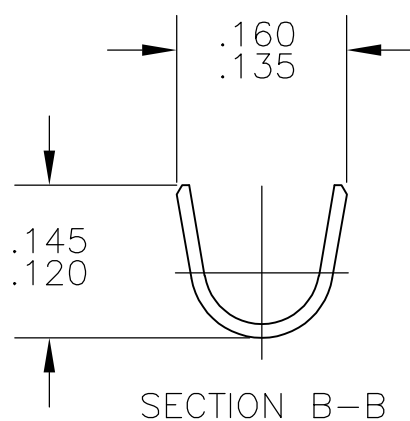
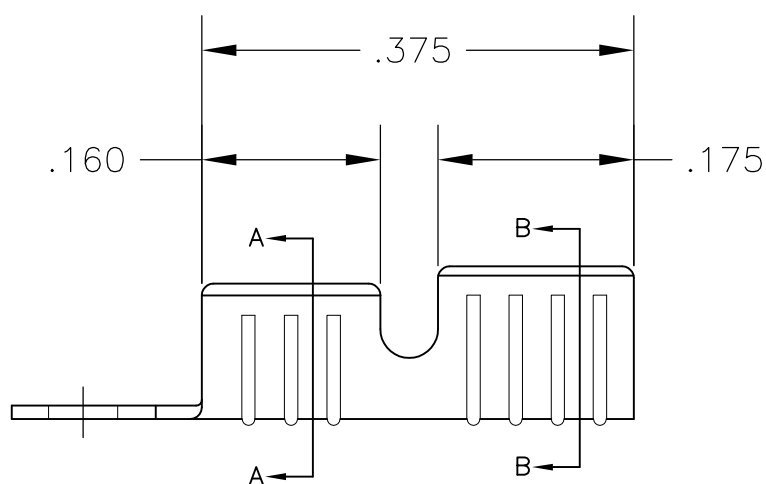
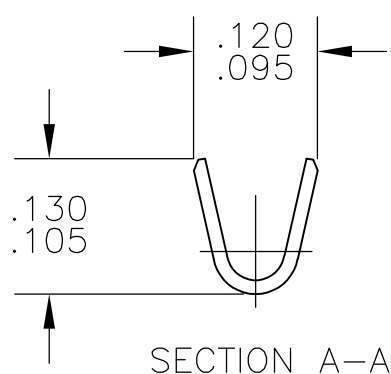
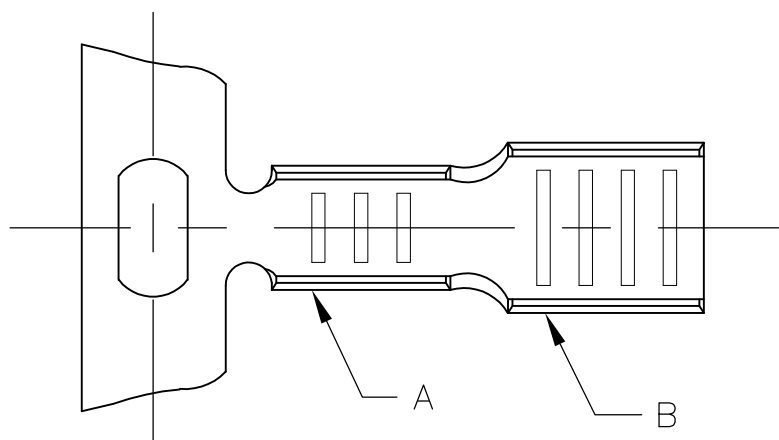


THIS DRAWING IS UNPUBLISHED. RELEASED FOR PUBLICATION
 © COPYRIGHT - BY TYCO ELECTRONICS CORPORATION. ALL RIGHTS RESERVED.

LOC	DIST	REVISIONS					
AF	50	P	LTR	DESCRIPTION	DATE	DWN	APVD
			H5	REVISED PER ECR-07-031129	28DEC07	HMR	GP



- 1 PRODUCT PROVIDED IN STRIP FORM REEL, BREAKS MAY BE PRESENT
- 2 REELING DIRECTION FOR THRU OR BUTT TYPE SPLICE APPLICATOR
- 3 REELING DIRECTION FOR PIGTAIL TYPE SPLICE APPLICATOR
- 4 WIRE RANGE BARREL A: 975-2700 CMA
INSULATION RANGE BARREL B: .080 - .115 DIA
- 5 REF. CRIMP INFO:
BARREL A - .080 "F"
BARREL B - .120 "O"
- 6 PRELIMINARY - NOT FOR PRODUCTION.

2	18 - 16	.100 DIA	.012 ST STEEL - NONE	6 61021-4
4 3	-	-	.012 STEEL - NICKEL	61021-3
2 4	OBSOLETE 18 - 16	.100 DIA	.012 BRASS - NONE	61021-2
2	18 - 16	.100 DIA	.012 STEEL - NICKEL	61021-1
	WIRE SIZE AWG BARREL "A"	WIRE SIZE HEATER WIRE BARREL "B"	MATERIAL AND FINISH	PART NO

THIS DRAWING IS A CONTROLLED DOCUMENT.		DWN RAGHAVENDRA 21NOV2006	Tyco Electronics Corporation Harrisburg, PA 17105-3608	
DIMENSIONS: INCHES	TOLERANCES UNLESS OTHERWISE SPECIFIED:	CHK G.D.PORTA	NAME	
	0 PLC ± - 1 PLC ± - 2 PLC ± - 3 PLC ± .015 4 PLC ± - ANGLES ± 1' 0"	APVD G.D.PORTA	SPLICE	
MATERIAL SEE TABLE	FINISH SEE TABLE	PRODUCT SPEC -	SIZE A3	CAGE CODE 00779
		APPLICATION SPEC -	DRAWING NO G-61021	RESTRICTED TO -
		WEIGHT -	SCALE 6:1	SHEET 1 OF 1
		CUSTOMER DRAWING	REV H5	